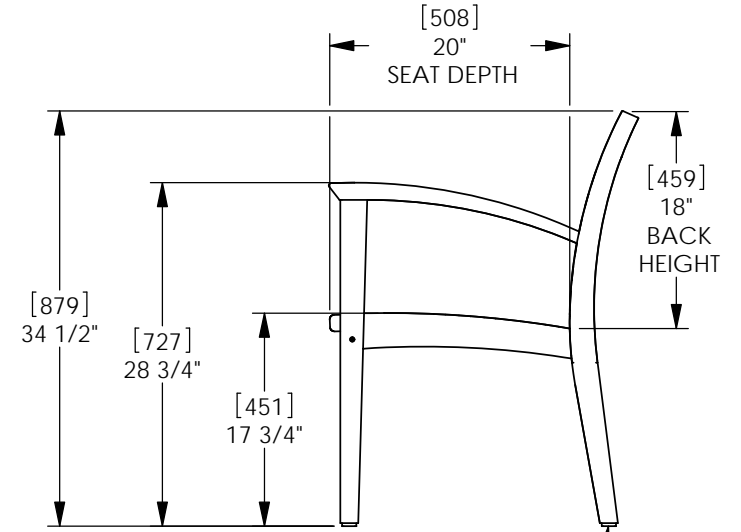
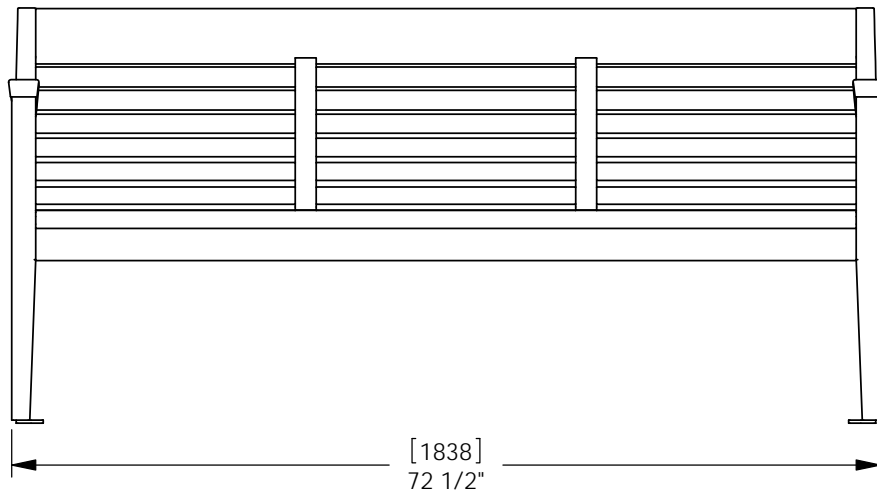


SURFACE MOUNT
 FOOT DETAIL



SURFACE MOUNT TAB